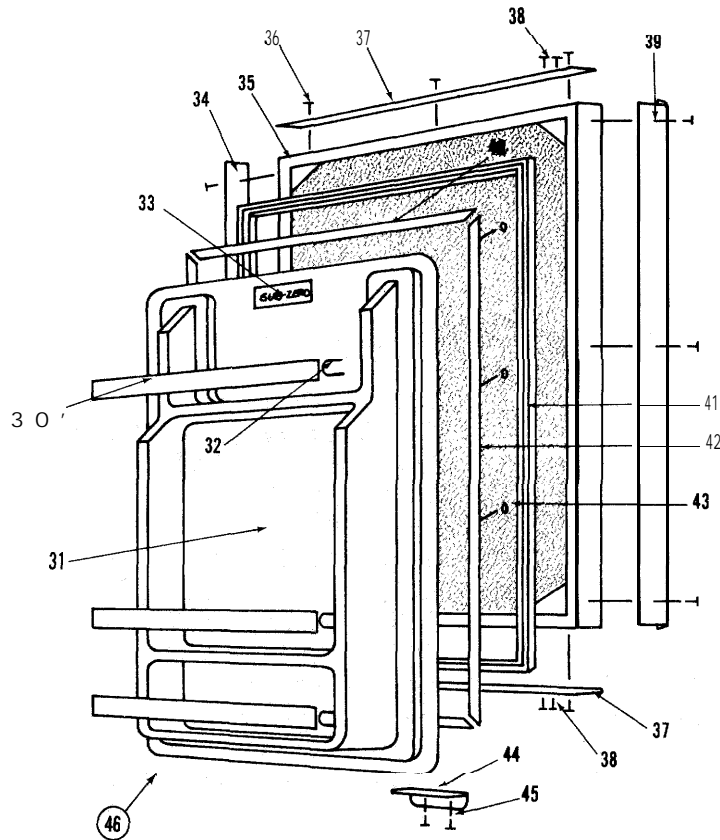


## 249R DOORS

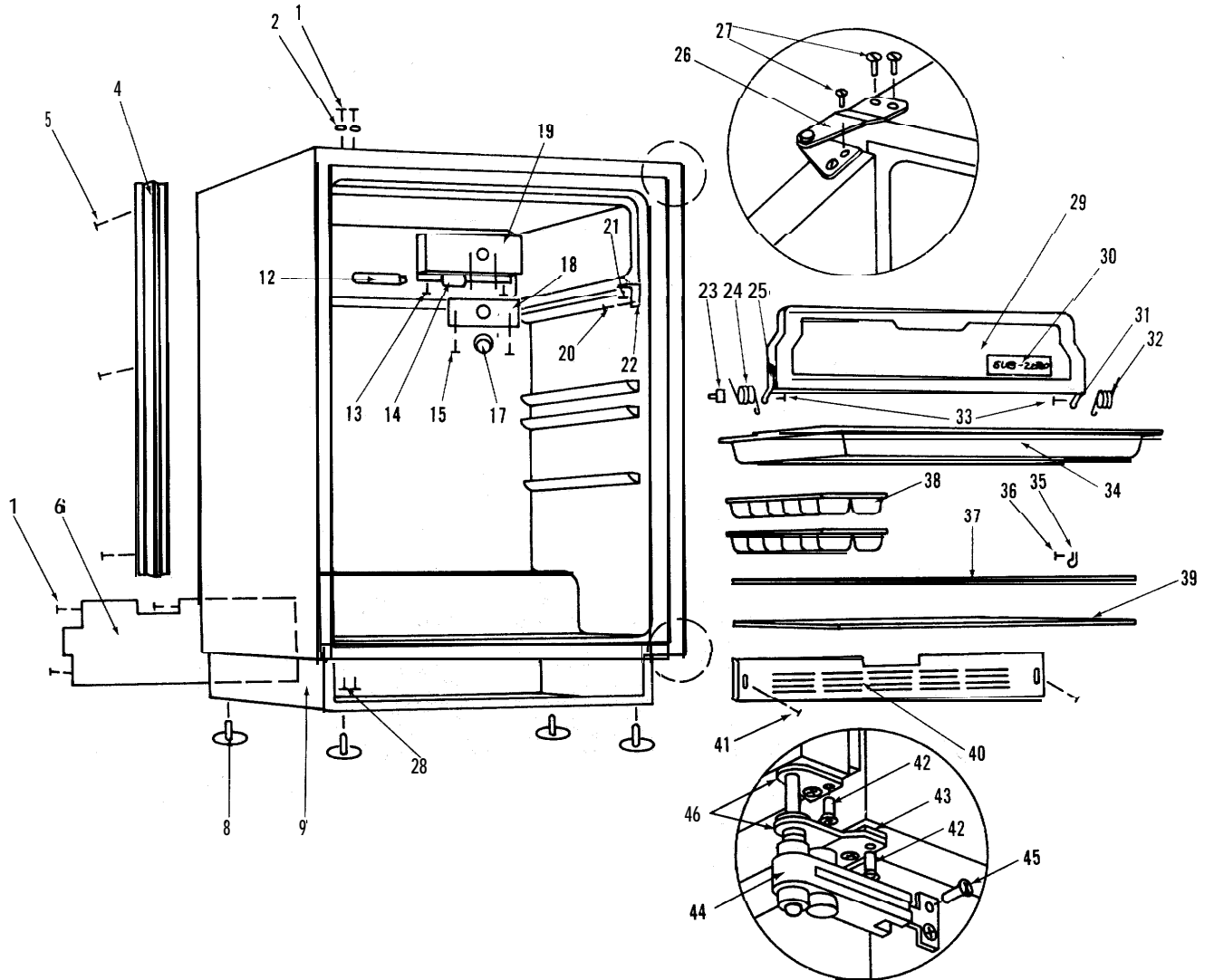


<u>Item #</u>	<u>Part #</u>	<u>Description</u>
30	2-8075-01	Door Shelf Guard, 1.25 x 16.25
31	0-88027-0	Door Liner
32	3-45-039-0	U-Clip
33	3-58-001-0	Nameplate, 1-1/4 x 3-7/8 (NOTE: On Inner Door-249R)
34	2-2188-02	Side Door Trim, 1.57 x 30-3/16
35	0-87014-0	Door Shell
36	6-20-004-0	Screw, #4-24 x 1/2 Truss Head
37	2-2188-01	Top & Bottom Door Trim, 1.57 x 23-13/16
38	6-11-002-0	Bolt, #10-24 x 3/8 Truss Head
39	2-2189-01	Door Handle, 2.195 x 30-3/16
40	3-42-018-0	Top & Bottom Gasket Retainer, 22.125
41	3-21-018-0	Door Gasket, 23.313 x 29.688
42	3-42-021-0	Side Gasket Retainer, 29.188
43	6-20-041-0	Screw, #8 x 1/2 Slot Head Hex
44	0-18028-0	Switch Depressor, Black
45	6-20-023-0	Screw, #8-18 x 1/2 Hex Head
46	4-13-061-1	Complete Door Assembly, Right Hand
	4-13-061-2	Complete Door Assembly, Left Hand

## 249 R COSMETIC VIEW

<u>Item #</u>	<u>Part #</u>	<u>Description</u>
1	6-11-001-0	Bolt, #10-24 x 1/2 Flat Head
2	6-24-001-0	Finish Washer, #10 Stainless Steel
4	0-86085-0	Wire Cover
5	6-11-002-0	Bolt, #10-24 x 3/8 Truss Head
6	0-86121-0	Back Shroud
7	6-20-023-0	Screw, #8-18 x 1/2 Hex Head
8	3-57-001-0	Leveling Leg, 1/4-20 x 1-1/2
9	4-11-012-0	Base Assembly
12	3-03-001-0	Light Bulb; 25 Watt, 7/8 x 5-1/2
13	6-20-012-0	Screw, #10-12 x 1/2 Truss Head
14	3-05-001-0	Light Socket, 3/4 Single
15	6-11-005-0	Bolt, #8-32 x 3/8 Truss Head
17	3-01-241-0	Control Knob
18	3-01-202-0	Faceplate, 2-3/16 x 3
19	0-86082-0	Control & Light Enclosure
20	6-11-003-0	Bolt, #10-24 x 1/2 Round Head
21	6-11-003-0	Bolt, #10-24 x 1/2 Round Head
22	0-91006-0	Evaporator Mounting Bracket
23	6-22-011-0	Screw Grommet, 1/2 x 9/16
24	3-45-001-0	Left Inner Door Spring, 1/2 x 3/4 x 2-7/8
25	2-8035-01	Left Inner Door Hinge
26	3-54-002-0	Door Hinge, Upper Left or Lower Right
	3-54-001-0	Door Hinge, Upper Right or Lower Left
27	6-11-001-0	Bolt, #10-24 x 1/2 Flat Head
28	6-11-002-0	Bolt, #10-24 x 3/8 Truss Head
29	4-33-001-0	Inner Door Assembly
30	3-58-001-0	Nameplate, 1-1/4 x 3-7/8
31	2-8034-01	Right Inner Door Hinge
32	3-45-002-0	Right Inner Door Spring, 1/2 x 3/4 x 2-7/8
33	6-20-028-0	Screw, #8-18 x 1 Pan Head
34	4-19-001-0	Drain Pan Assembly
35	6-12-003-0	Plastic Tube Clamp, 1/4
36	6-20-014-0	Screw, #8-15 x 3/8 Truss Head
37	3-60-004-0	Wire Shelf, 14-1/2 x 20-1/2
38	3-14-003-0	Ice Tray, 4-3/8 x 10-1/2
39	3-60-004-0	Wire Shelf, 14-1/2 x 20-1/2
40	0-86034-0	Kickplate, 23-7/8
41	6-20-008-0	Screw, #8-15 x 1/2 Truss Head
42	6-11-001-0	Bolt, #10-24 x 1/2 Flat Head
43	0-86169-0	Shim
44	3-54-081-0	Door Closer
45	6-20-005-0	Screw, #10-12 x 1/2
46	3-54-079-0	Bottom Door Hinge, Right Hand
	3-54-080-0	Bottom Door Hinge, Left Hand

# 249 R COSMETIC VIEW



Starting with Serial No. 356747

## 249 R SYSTEM VIEW

<u>Item #</u>	<u>Part #</u>	<u>Description</u>
42	6-20-014-0	Screw, #8-15 x 3/8 Truss Head
43	3-11-075-0	Start Relay (9660-040-129K3V)
44	3-11-076-0	Overload (MRP59AMK-34)
45	6-11-034-0	Screw, Slot Head
46	3-11-063-0	Terminal Cover Strap
47	3-11-062-0	Terminal Cover
48	3-45-004-0	Compressor Clip, 7/8 x 3/16
49	3-15-001-0	Rubber Mount, 5/8 x 1-1/4
50	3-01-405-0	Drier, 1/4 x .083
51	3-11-074-0	Compressor (AE1332D)
52	4-25-001-0	Heat Exchanger Assembly
53	6-20-002-0	Screw, #7-16 x 1/2 Pan Head
54	6-12-001-0	Tube Clamp; Steel w/Rub, 5/16
55	6-20-002-0	Screw, #7-16 x 1/2 Pan Head
56	3-06-003-0	Door Switch, Normally Closed (Light)
57	0-86134-0	Single Switch Bracket
58	3-12-001-0	Condenser, 1 x 9-7/8 x 12
59	6-20-049-0	Screw, #8-32 x 3/8 Type 25 Slotted Hex
60	3-22-016-0	Grommet, 3/16 x 7/16 x 9/32
61	2-8016-02	Condenser Fan Bracket, 2-1/4
62	6-20-043-0	Screw, #8-18 x 1/2
63	3-15-028-0	Condenser Fan Motor; 1.5 Watt, 4 Pole
64	3-21-034-0	Neoprene Silencer, 7/8"
65	3-15-003-0	Fan Blade; 5 Prop, 6-3/4
66	6-15-041-0	Nut, 1/4-20
67	6-12-007-0	Plastic Tube Clamp, 3/8
68	6-20-008-0	Screw, #8-15 x 1/2 Truss Head
69	3-09-008-0	Valve Cap
70	3-09-001-0	Base Valve
71	3-01-201-0	Control
72	3-02-231-0	Black Power Cord
73	3-52-012-0	Brass Insert, 3/16 x 9/32
74	4-21-001-0	Evaporator Assembly

# 249 R SYSTEM VIEW

